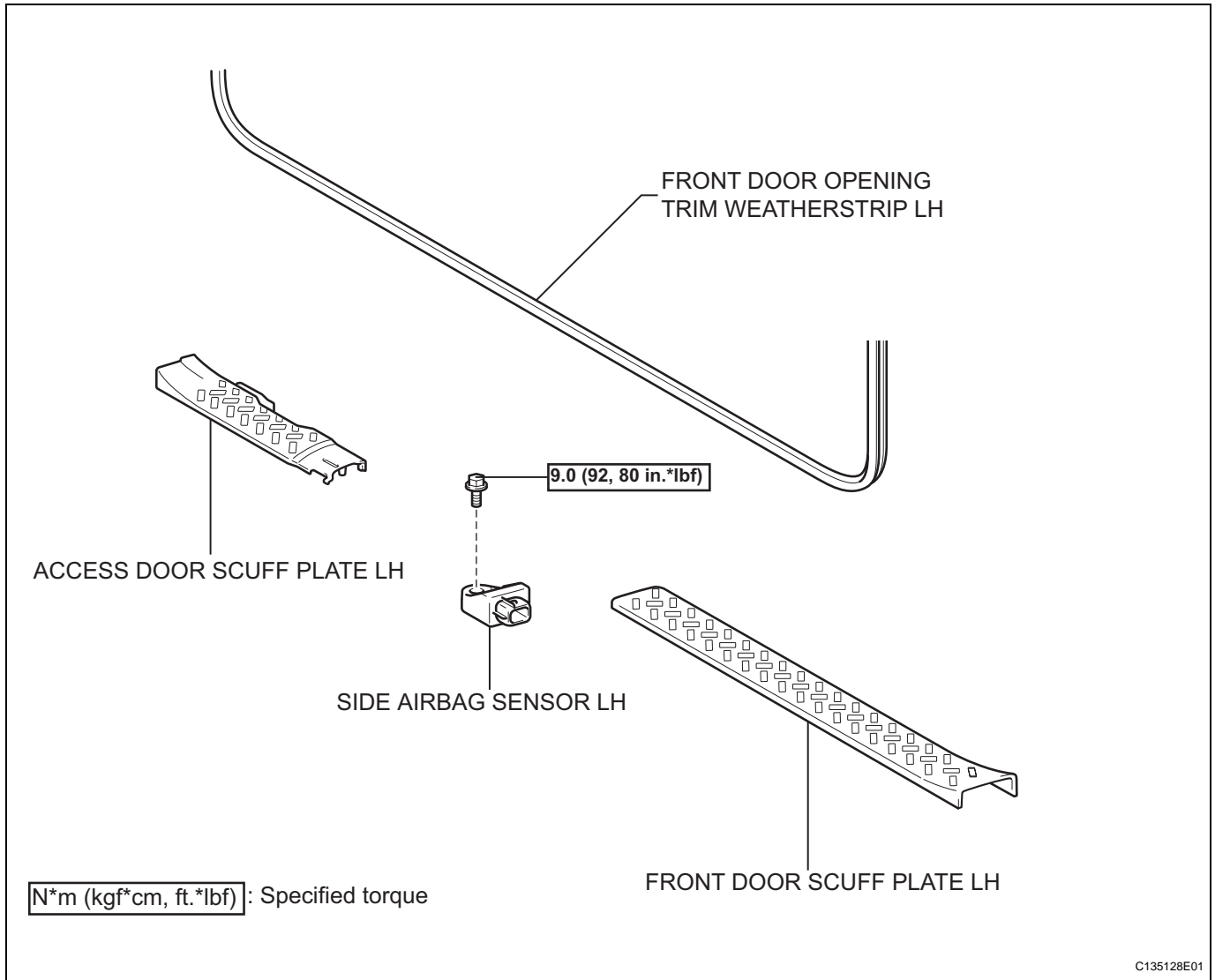


SIDE AIRBAG SENSOR

COMPONENTS



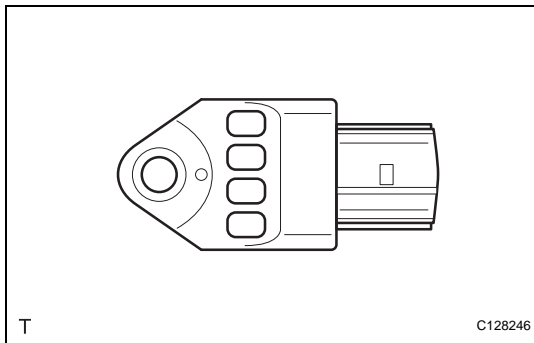
RS

ON-VEHICLE INSPECTION

1. **INSPECT SIDE AIRBAG SENSOR (VEHICLE NOT INVOLVED IN COLLISION)**
 - (a) Perform a diagnostic system check (See page [RS-36](#)).
2. **INSPECT SIDE AIRBAG SENSOR (VEHICLE INVOLVED IN COLLISION AND AIRBAG HAS NOT DEPLOYED)**
 - (a) Perform a diagnostic system check (See page [RS-36](#)).
 - (b) When the center pillar of the vehicle or the area around it is damaged, check if there is any damage to the side airbag sensor. If there are any defects as mentioned below, replace the side airbag sensor with a new one:
 - Cracks, dents or chips on the sensor housing.
 - Cracks or other damage to the connector.
 - Peeling off of the label or damage to the serial number.

CAUTION:

For side airbag sensor removal and installation procedures, see pages [RS-398](#) and [RS-399](#). Be sure to follow the correct removal and installation procedures.



T

C128246

3. **INSPECT SIDE AIRBAG SENSOR (VEHICLE INVOLVED IN COLLISION AND AIRBAG HAS DEPLOYED)**

- (a) Replace the side airbag sensor.

CAUTION:

For side airbag sensor removal and installation procedures, see pages [RS-398](#) and [RS-399](#). Be sure to follow the correct removal and installation procedures.

HINT:

The side airbag sensor on the impacted side should be replaced after the front seat side airbag assembly and curtain shield airbag assembly have deployed.